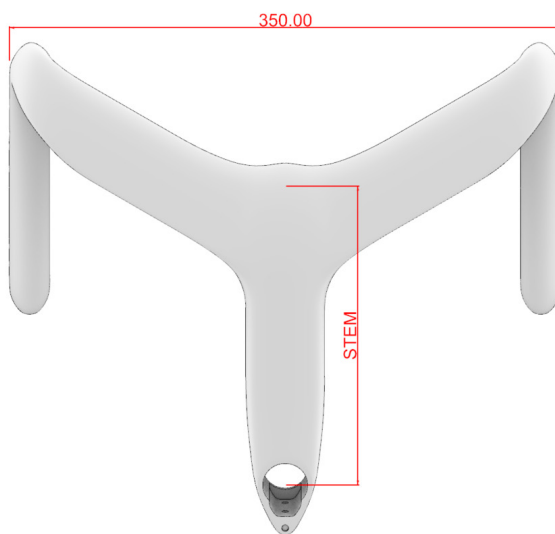
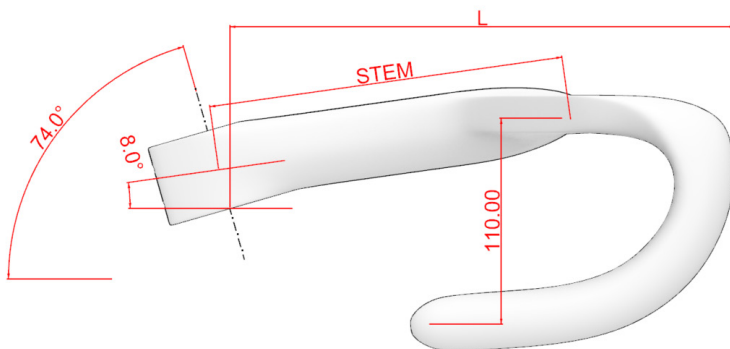




TALON SPRINT HANDLEBAR

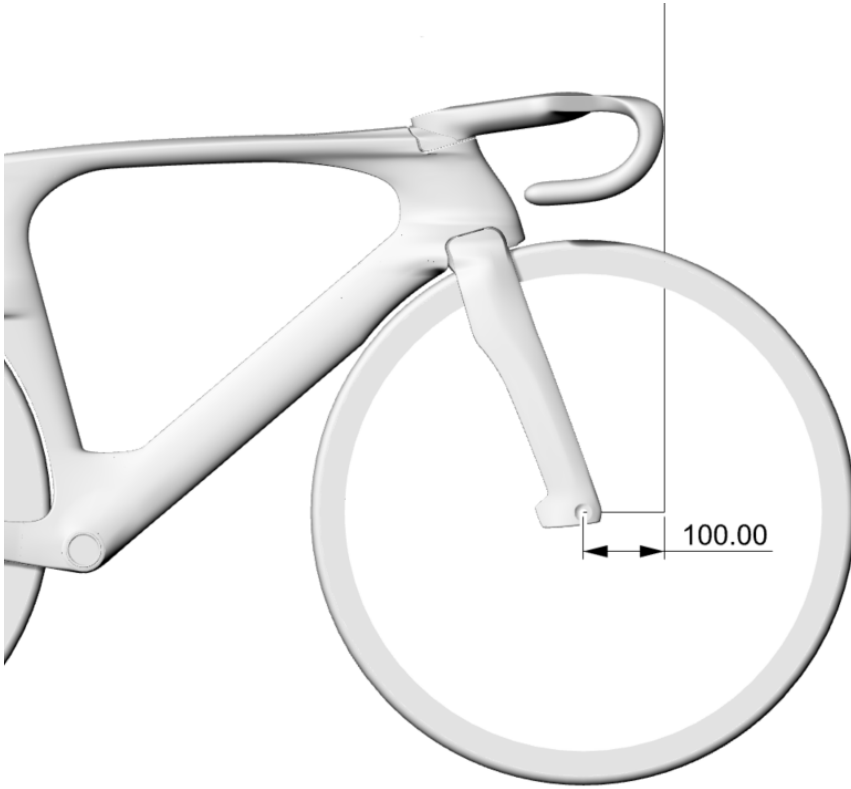
USER MANUAL AND MAINTENANCE

1. SIZE CHART



STEM [mm]	WIDTH [mm]	L [mm]	DROP [mm]	STEM ANGLE [°]
150	350	229	110	8
170	350	249	110	8
190	350	269	110	8

UCI LIMIT 100mm OVER FRONT HUB - MAAT ITALIA



	150	170	190
425	OK	16 mm	-4mm
450	OK	17 mm	-3 mm
470	OK	21 mm	1 mm
485	OK	OK	5 mm
500	OK	OK	9 mm

Dimensions are taken from ideal cad model in horizontal direction with 0mm spacer assembly configuration.

PINARELLO

pinarello.com