

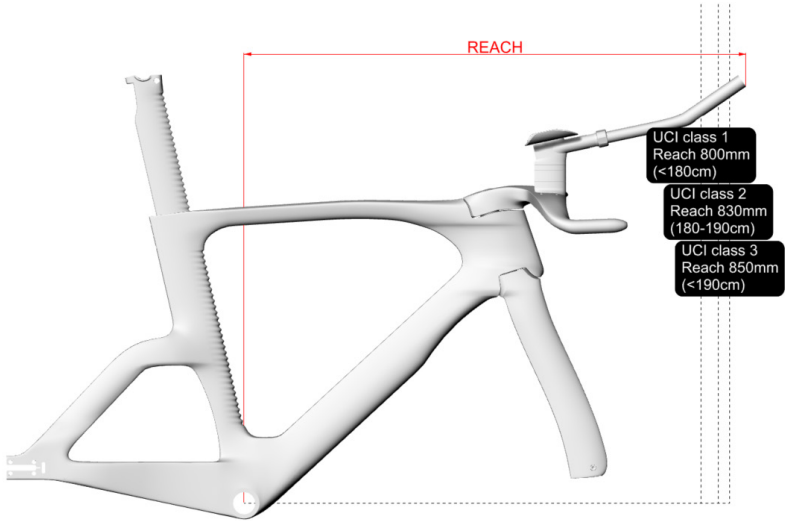


ROUND EXTENTION BAR

USER MANUAL AND MAINTENANCE

1. SIZE CHART

UCI RULES – CLASS MAX REACH



BOLIDE F HR

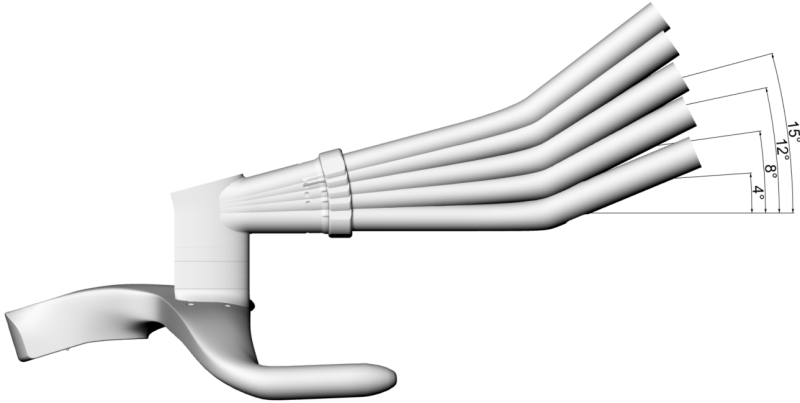
FRAME SIZE	STEM LENGTH [mm]	REACH [mm]
450	120	824
525	120	850
550	120	878

BOLIDE F TT

FRAME SIZE	STEM LENGTH [mm]	REACH [mm]
450	120	827
485	120	844
520	120	861
550	120	878

These measurements are obtained with the bicycle in a horizontal position, with extensions inclined at 12° and at maximum length. All these measures do not include any commands or handcaps.

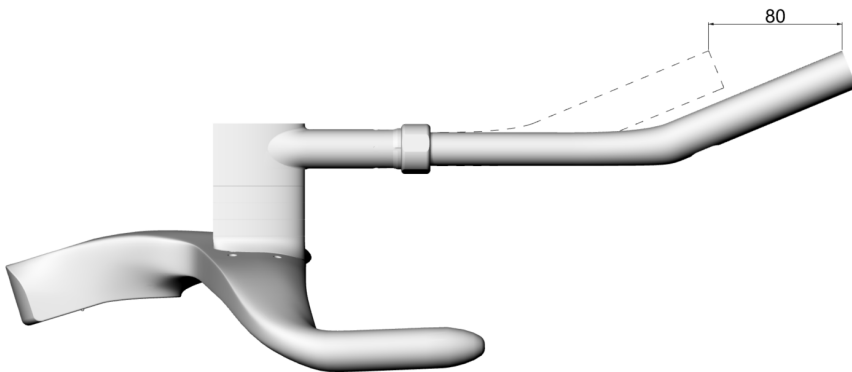
EXTENSION SLOPE ADJUSTMENT



EXTENSION ANGLE [°]
0
4
8
12
15

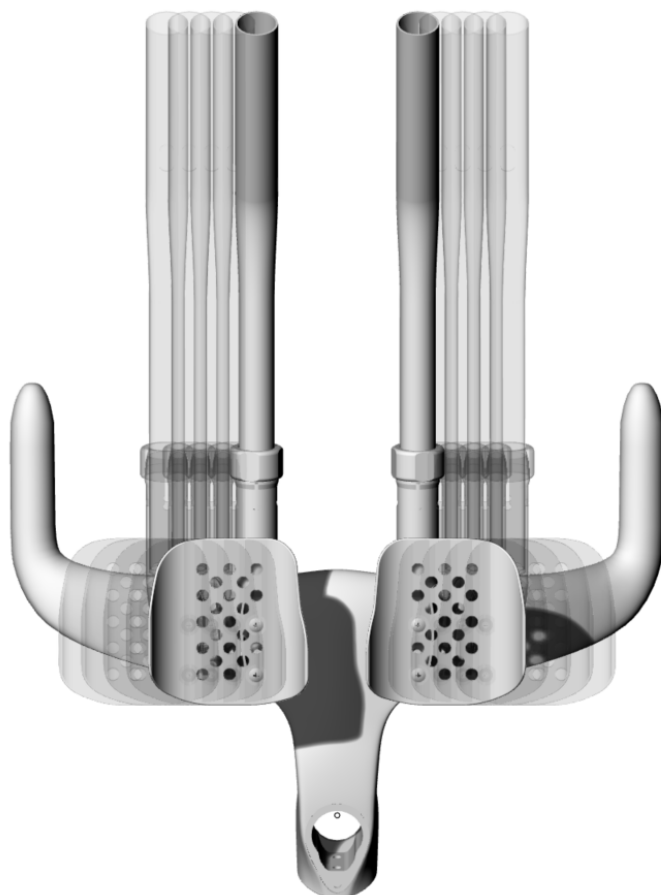
Rotation of the extensions from 0° to 15° is allowed with intervals defined as in the table.

EXTENSION LENGTH ADJUSTMENT



Translation of the extensions is permitted up to a maximum of 80mm. The change after reduction is irreversible, extensions need to be cut.

EXTENSION WIDTH ADJUSTMENT

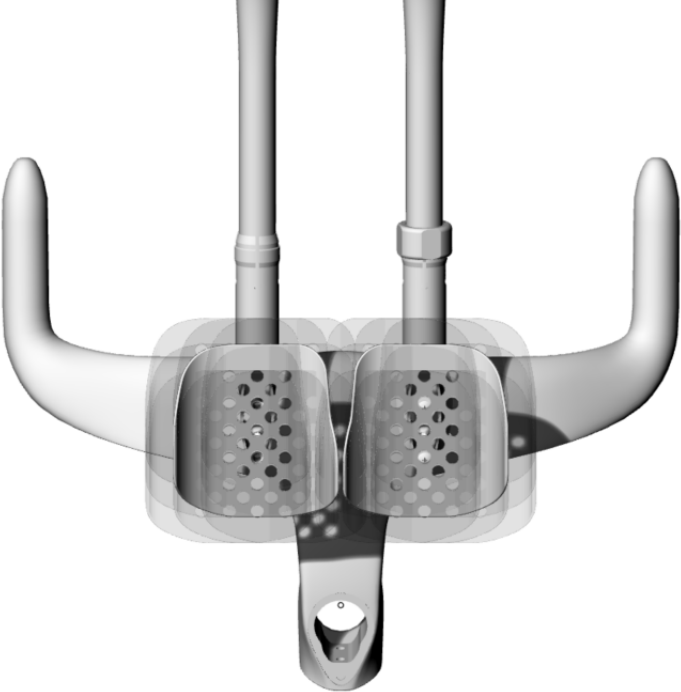


W [mm]
90
115
140
165*
190*

*disponibili solo per Bolide FTT

The width of the extensions varies with 25mm steps given by the holes on the basebar.

ARMREST POSITION ADJUSTMENT



The pads can be moved according to the existing hole grid. The minimum pitch between holes is 15mm.

PINARELLO

pinarello.com