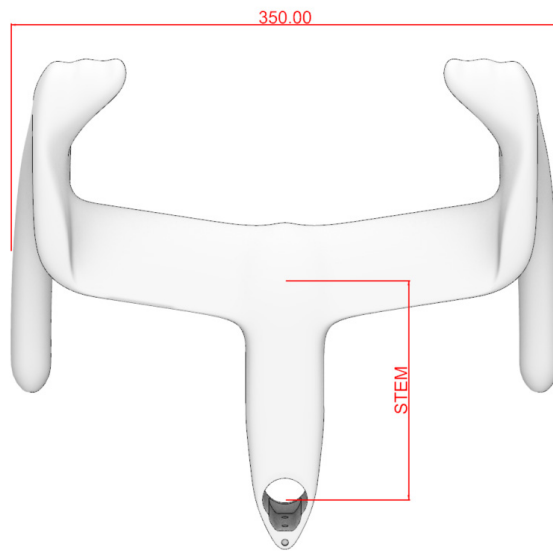
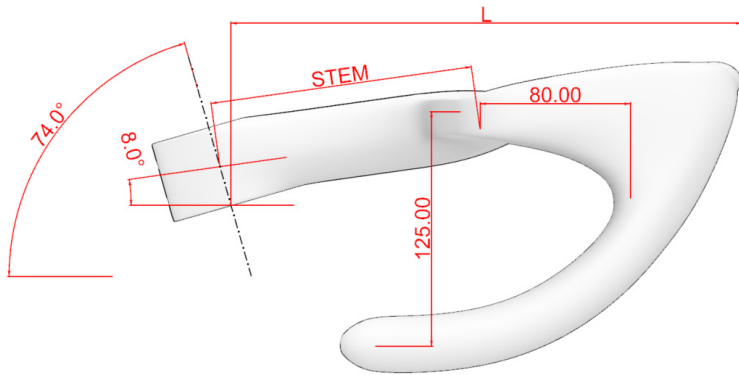




TALON LAP HANDLEBAR

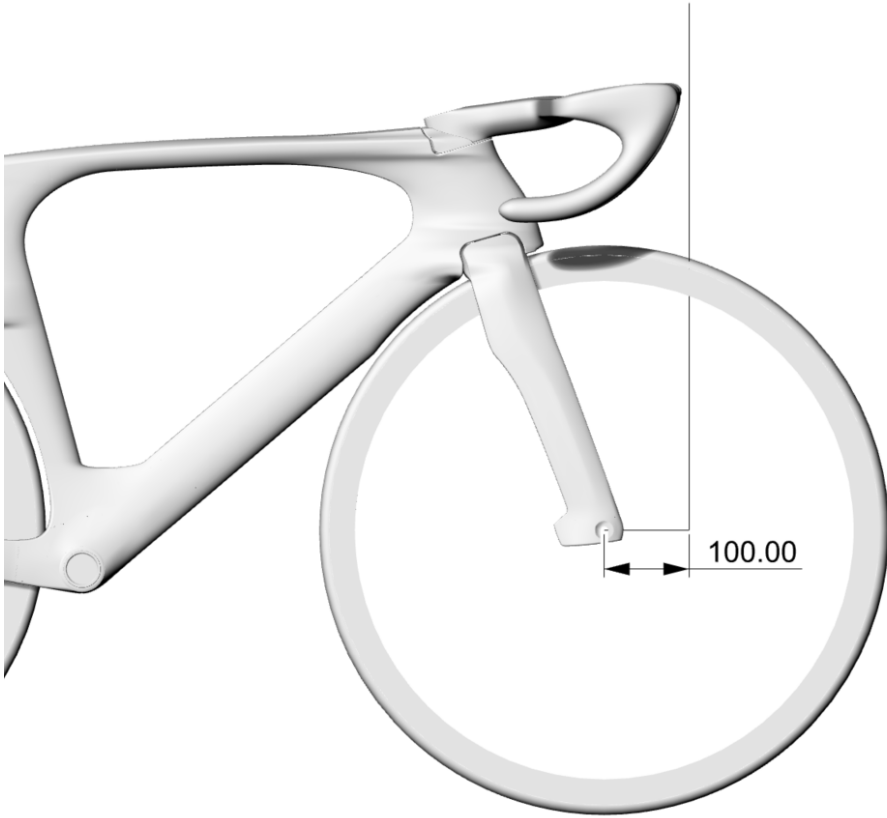
USER MANUAL AND MAINTENANCE

1. SIZE CHART



STEM [mm]	WIDTH [mm]	REACH [mm]	DROP [mm]	L [mm]	STEM ANGLE [°]
110	350	80	125	242	8
120	350	80	125	252	8
130	350	80	125	262	8
140	350	80	125	272	8

UCI LIMIT 100mm OVER FRONT HUB - MAAT ITALIA



	110	120	130	140
425	OK	OK	5 mm	-5 mm
450	OK	OK	6 mm	-4 mm
470	OK	OK	10 mm	0 mm
485	OK	OK	OK	4 mm
500	OK	OK	OK	8 mm

Dimensions are taken from ideal cad model in horizontal direction with 0mm spacer assembly configuration.

PINARELLO

pinarello.com